



## FA1340C Partitioned Security System



- Up to 8 partitions
- 9 hardwired zones + 3 keypad panics + duress
- Expansion to 86 zones
- 128 User codes with 7 authority levels
- Support telephone arming module
- 3 technology options: standard hardwired, 2-wire multiplex, or wireless (5700 or 5800)
- Supports 16 two-wire smoke detectors
- 224 event log with printer support
- Intelligent relay control
- Open/close exception reporting - reduces phone expenses
- Supports up to 16 keypads
- Timed event scheduling
- Fully downloadable
- Long Range Radio triggers
- Optional X-10 interface
- Speed key ("D") for simplifying operation
- QED programming for quick enrollment of wireless devices

### Zone Features:

- The flexibility of up to 8 control/communicator panels, in a single control communicator
- Up to seven user levels for each partition
- Up to 16 English text keypads can be assigned to partitions throughout the system
- Up to 128 user codes can be assigned within the system with up to 99 users within any one partition
- The "D" key can be used to activate a string of 16 keystrokes allowing a complicated action to be simple

### Telephone Control:

- Using the 4285 Telephone Arming Module, every touch-tone phone on or off premises becomes a keypad

### Event Logging:

- Time/date stamping of all events within the system.
- All events can be displayed on the local keypads, or printed on a standard serial printer. An optional serial interface module (4100SM) is available for connection between the control and the serial printer of choice

### Output Control:

- Typical system events within a control panel can be linked to a relay.
  - Armed stay
  - Armed away
  - Code & off
  - Burglar alarm event

- Fire alarm event
- System LOBAT
- RF receiver failure
- Zone response type

- Time driven RELAY events - Create schedules for the purposes of telling a relay when to trip and reset. These schedules represent the road map a relay or relays will follow for their action
- Individual relay commands - Relay ON, OFF, PULSE (default # of seconds), PULSE (xx minutes), PULSE (yy seconds)
- Group relay commands - Relay group ON, OFF, PULSE (default # of seconds), PULSE (xx minutes), PULSE (yy seconds)

### Power Line Carrier Control (X-10):

- Wire the optional 4300 transformer to the panel and you're ready to unleash all the program power of relays to the AC line and X-10 compatible devices



### Applications are Endless:

- Uniquely announce a separate sounder for an alarm in a particular partition
- Put a separate strobe light on a system for FIRE which never shuts down with the system sounder
- Annunciate coffee breaks in a commercial building.
- Activate security lights to go on in a factory at a certain time

### Open/Close by Exception:

- Reports of openings and closings will occur if they are performed outside of the designated operation times
- Accommodates 16 holiday schedules which can be individually selected for use by each partition if desired

### Auto Arming/Force Arming/Disarming:

- Automatic Arm - Arm if all zones are ready
- Force Arm - Arm with open zones automatically bypassed
- Disarm - At a preset time
- Auto arming warning - Represents a grace period of time prior to starting an auto arming function. The delay is programmable in 4 minute increments from 4 to 64 minutes. (Independent delays are available for the arming and disarm functions.)

### Dimensions:

Universal Cabinet; w/removable door.

Height: 12 1/2"  
Width: 14 1/2"  
Depth: 3"

### Electrical Specifications:

Voltage Input: 16.5VAC,  
Transformer Rated at 40VA.

Rechargeable Back-up Battery:  
12VDC, 4.0 AH or 12VDC, 6-7  
AH Battery

Output: 12VDC, 750mA

Auxiliary Power:MAX

Standby: 2.5 hours (4 AH battery) or 4.0  
hours (6-7 AH battery) with full  
750mA aux power load

Circuit Breaker: Battery & Bell circuits are  
thermal breaker protected.

### Programming:

- Keypad, remote, or with a direct connect to your PC using the 4100SM Serial Interface Module

### Audio Alarm Verification (AAV):

A programming option for two-way voice modules. This permits voice dialog between an operator at a central station and a person at the premises for the purposes of verifying the alarm. If programmed, the control will transmit a new Contact ID message, "listen in to follow."

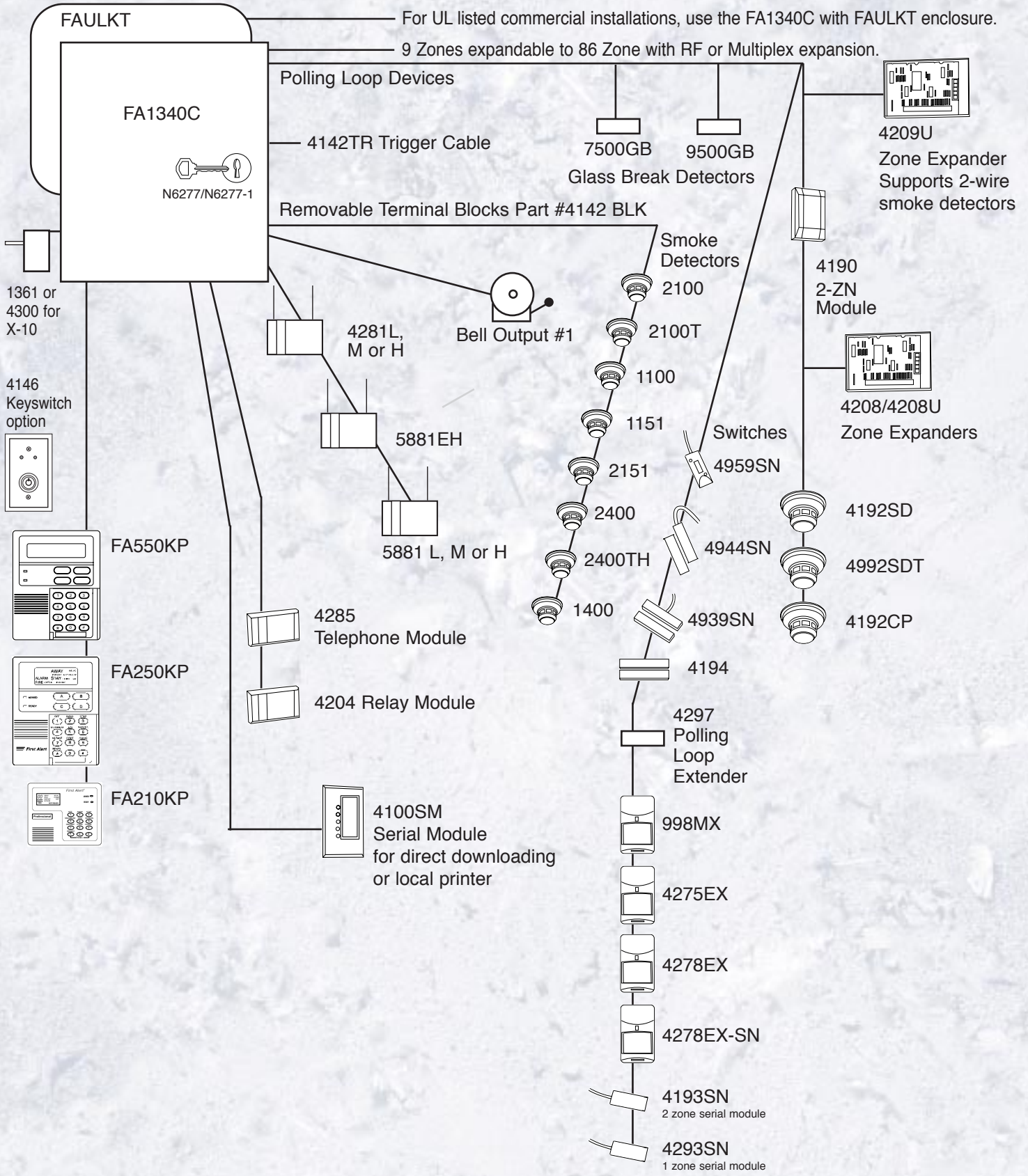
### Key Features

**FA1340C** - Control includes the following:

- 8 partitions
- 9 hardwired zones
- Expandable to 86 zones
- Three panic zones
- Duress
- Includes transformer and cabinet  
(Order battery separately)



PENDING



**WARNING: OWNER'S INSTRUCTION NOTICE NOT TO BE REMOVED**

**COMPLIES WITH FCC RULES, PART 68**  
 FCC REGISTRATION NO. AC396U-68192-AL-E  
 RINGER EQUIVALENCE: 0.7B

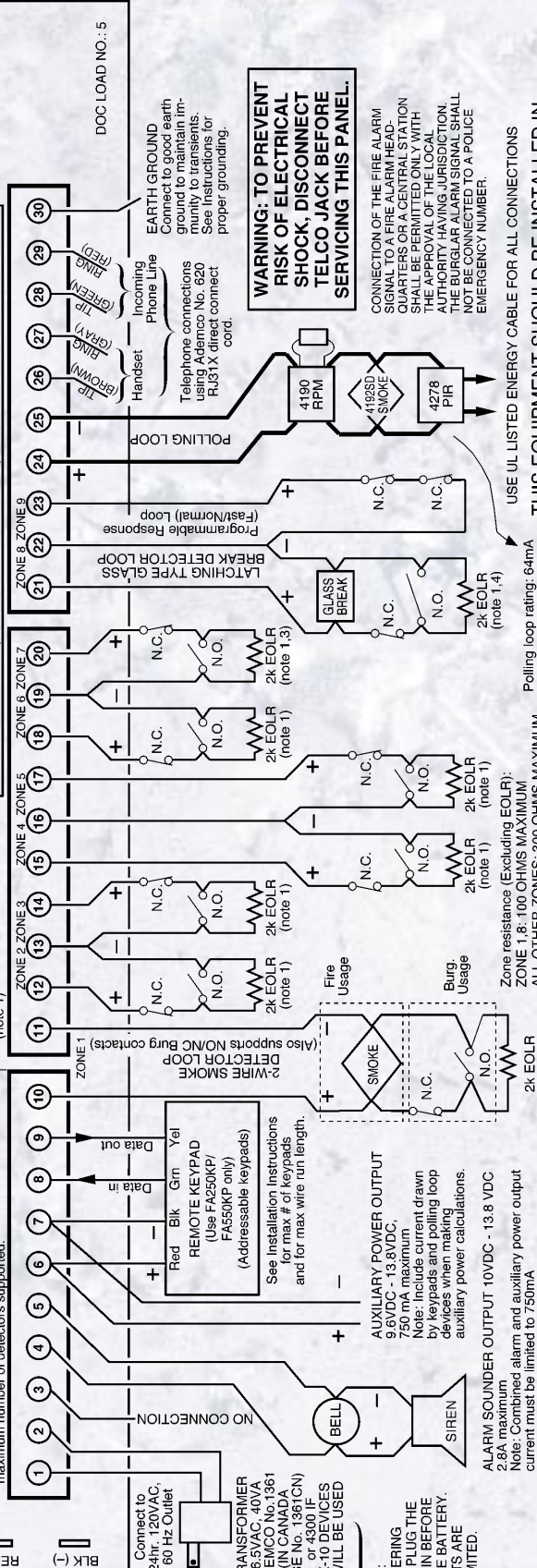
**THIS DEVICE COMPLIES WITH PART 15 OF FCC RULES. OPERATION IS SUBJECT TO THE FOLLOWING TWO CONDITIONS: (1) IT MAY NOT CAUSE HARMFUL INTERFERENCE. (2) IT MUST ACCEPT ANY INTERFERENCE THAT MAY CAUSE UNDESIRABLE OPERATION.**

**NOTES:**

- Zone 1 may be selected for EOLR supervised or normally closed (no EOLR) operation via cut jumper. (Cut red jumper for normally closed operation. Do not cut for Fire Usage). Zones 2-8 may be selected for either operation via program field \*41.
- Zone 1 supports 2-wire smoke detectors. See installation instructions for recommended type and maximum number of detectors supported.
- Zone 7 may be used for remote keyswitch arming/disarming. (Cut red jumper for normally closed operation. Do not cut for Fire Usage). Zones 2-8 may be selected for either operation via program field \*41.
- Zone 1 supports 2-wire smoke detectors. See installation instructions for recommended type and maximum number of detectors supported.

**BATTERY**

- Zone 1 supports 2-wire smoke detectors. See installation instructions for recommended type and maximum number of detectors supported.
- Zone 7 may be used for remote keyswitch arming/disarming. (Cut red jumper for normally closed operation. Do not cut for Fire Usage). Zones 2-8 may be selected for either operation via program field \*41.
- Zone 1 supports 2-wire smoke detectors. See installation instructions for recommended type and maximum number of detectors supported.
- Zone 7 may be used for remote keyswitch arming/disarming. (Cut red jumper for normally closed operation. Do not cut for Fire Usage). Zones 2-8 may be selected for either operation via program field \*41.



**WARNING: TO PREVENT RISK OF ELECTRICAL SHOCK, DISCONNECT TELCO JACK BEFORE SERVICING THIS PANEL.**

**CONNECTION OF THE FIRE ALARM SIGNAL TO A FIRE ALARM HEAD-QUARTERS OR CENTRAL STATION**  
 CONNECTION OF THE FIRE ALARM SIGNAL TO A FIRE ALARM HEAD-QUARTERS OR CENTRAL STATION SHALL BE MADE WITH THE APPROVAL OF THE LOCAL AUTHORITY HAVING JURISDICTION. THE BURGLAR ALARM SIGNAL SHALL NOT BE CONNECTED TO A POLICE EMERGENCY NUMBER.

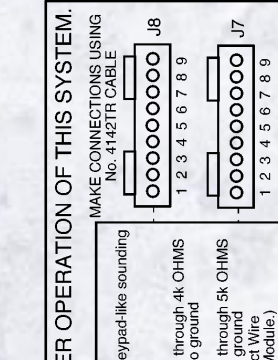
**USE UL LISTED ENERGY CABLE FOR ALL CONNECTIONS**

**THIS EQUIPMENT SHOULD BE INSTALLED IN ACCORDANCE WITH THE NATIONAL FIRE PROTECTION ASSOCIATION'S STANDARD 74 (NATIONAL FIRE PROTECTION ASSOC., BATTERYMARCH PARK, QUINCY, MA, 02269) PRINTED INFORMATION DESCRIBING PROPER INSTALLATION, OPERATION, TESTING, MAINTENANCE, EVACUATION PLANNING AND REPAIR SERVICE IS TO BE PROVIDED WITH THIS EQUIPMENT.**

**Zone resistance (Excluding EOLR):**  
 ZONE 1, 8: 100 OHMS MAXIMUM  
 ALL OTHER ZONES: 300 OHMS MAXIMUM

**Zone response time:**  
 ZONE 1-8: 350mSec-500mSec  
 ZONE 9: Programmable for Fast: 10mSec-15mSec Normal: 350mSec-500mSec (default response)

**FA1340C SUMMARY OF CONNECTIONS**



**OPTIONAL PROGRAMMING:**

**Out 1:** Open/closed or keypad-like sounding

**Out 2:** Ringed LED

**Out 3:** Ringed LED

**Out 4:** Ringed LED

**Ratings for Out 1:**  
 Active: 10VDC-13.8VDC through 4k OHMS  
 Not. Active: 100 OHMS to ground

**Ratings for out 2-4:**  
 Active: 10VDC-13.8VDC through 5k OHMS  
 Not. Active: 1k OHMS to ground

**(Refer to Installation Instructions for information concerning Direct Wire Downloading and printer connections using the 4100SM Serial Module.)**

**CONNECT TO**  
 12VDC, 4AH or 12VDC, 7AH

**GEL CELL BATTERY**

**CHARGING**  
 13.7 VDC

**See Installation Instructions for required capacity**

**Replace every 3 years**

**TRANSFORMER**  
 16.5VAC, 40VA  
 24hr. 120VAC, 60 Hz Outlet

**USE (FA1340C) OR 4300 IF X-10 DEVICES WILL BE USED**

**NOTE:**  
 WHEN POWERING UP THE PANEL, PLUG THE TRANSFORMER IN BEFORE CONNECTING THE BATTERY. ALL CIRCUITS ARE POWER LIMITED.

**FOR COMPLETE INFORMATION, SEE INSTRUCTIONS N5944-3 for FA1330C N5944-5 for FA1340C**

**www.firstalertpro.com**

175 Eileen Way, Syosset, NY 11791  
 © 1998 PITTWAY CORPORATION

